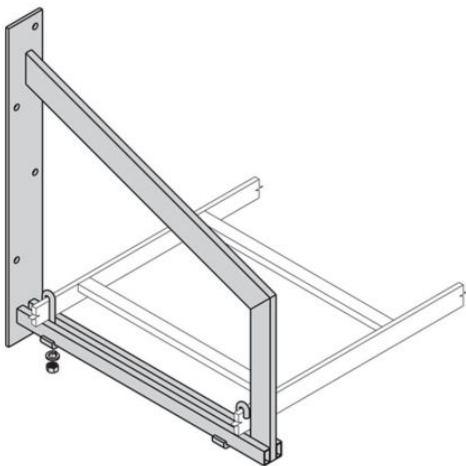


# Eaton SB214A24KFB

Catalog Number: SB214A24KFB

Eaton B-Line series runway shelf bracket, Steel, 24" runway width, Flat black powder coat, Runway wall support

## General specifications



Product Name	Catalog Number
Eaton B-Line series runway shelf bracket	SB214A24KFB
UPC	Product Length/Depth
799038212164	27 in
Product Height	Product Width
25 in	3 in
Product Weight	Certifications
10.33 lb	Not Applicable

## Product specifications

### Model

Runway wall support

### Material

Steel

### Finish

Flat black powder coat

## Resources

### Catalogs

[Cable runway and accessories section of datacomm catalog](#)

### Specifications and datasheets

[Eaton Specification Sheet - SB214A24KFB](#)



Eaton Corporation plc  
Eaton House  
30 Pembroke Road  
Dublin 4, Ireland  
Eaton.com  
© 2023 Eaton. All Rights Reserved.

Eaton is a registered trademark.

All other trademarks are property of their respective owners.



[Eaton.com/socialmedia](https://www.eaton.com/socialmedia)